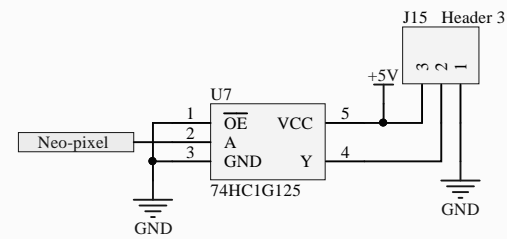
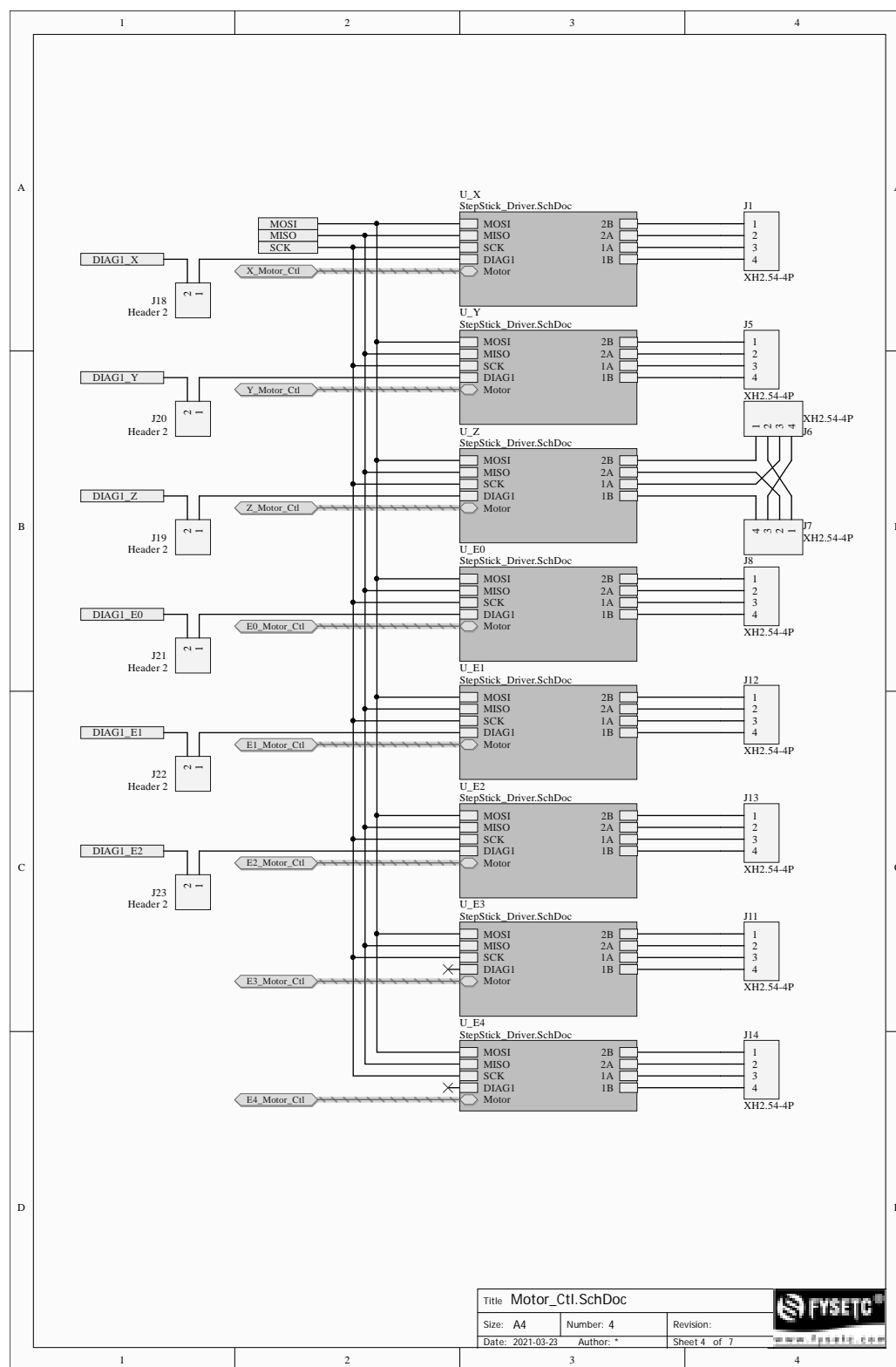
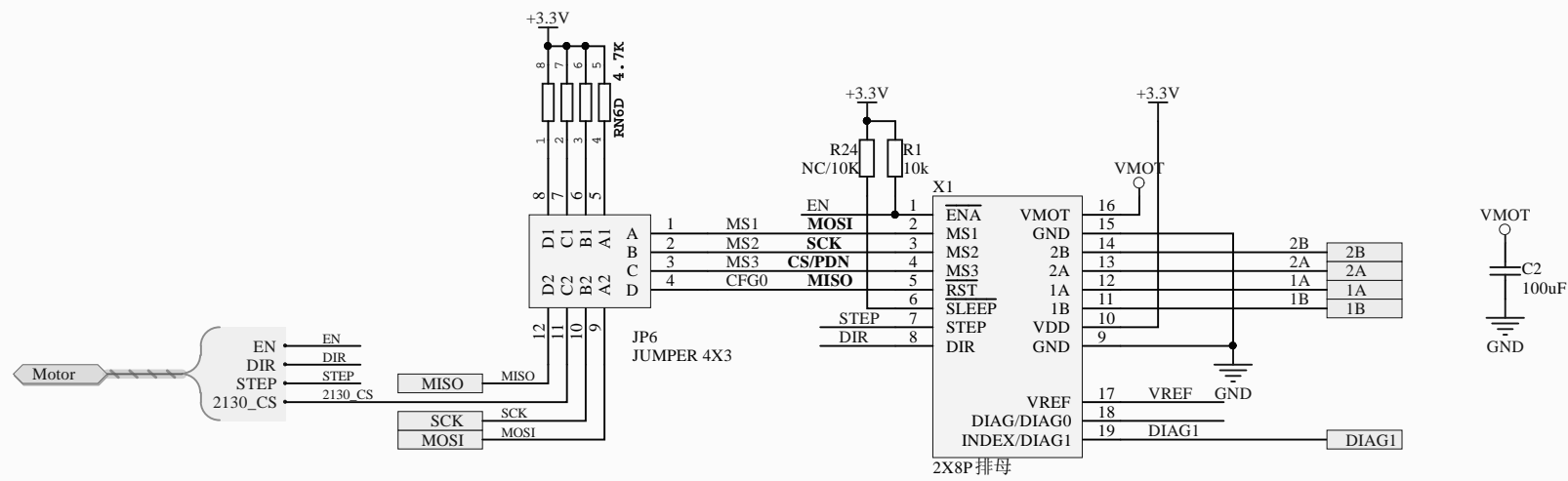


with this pin, three RGB channels can be converted to ordinary 2pin PWM output, Such as USED FOR FAN.







A

B

C

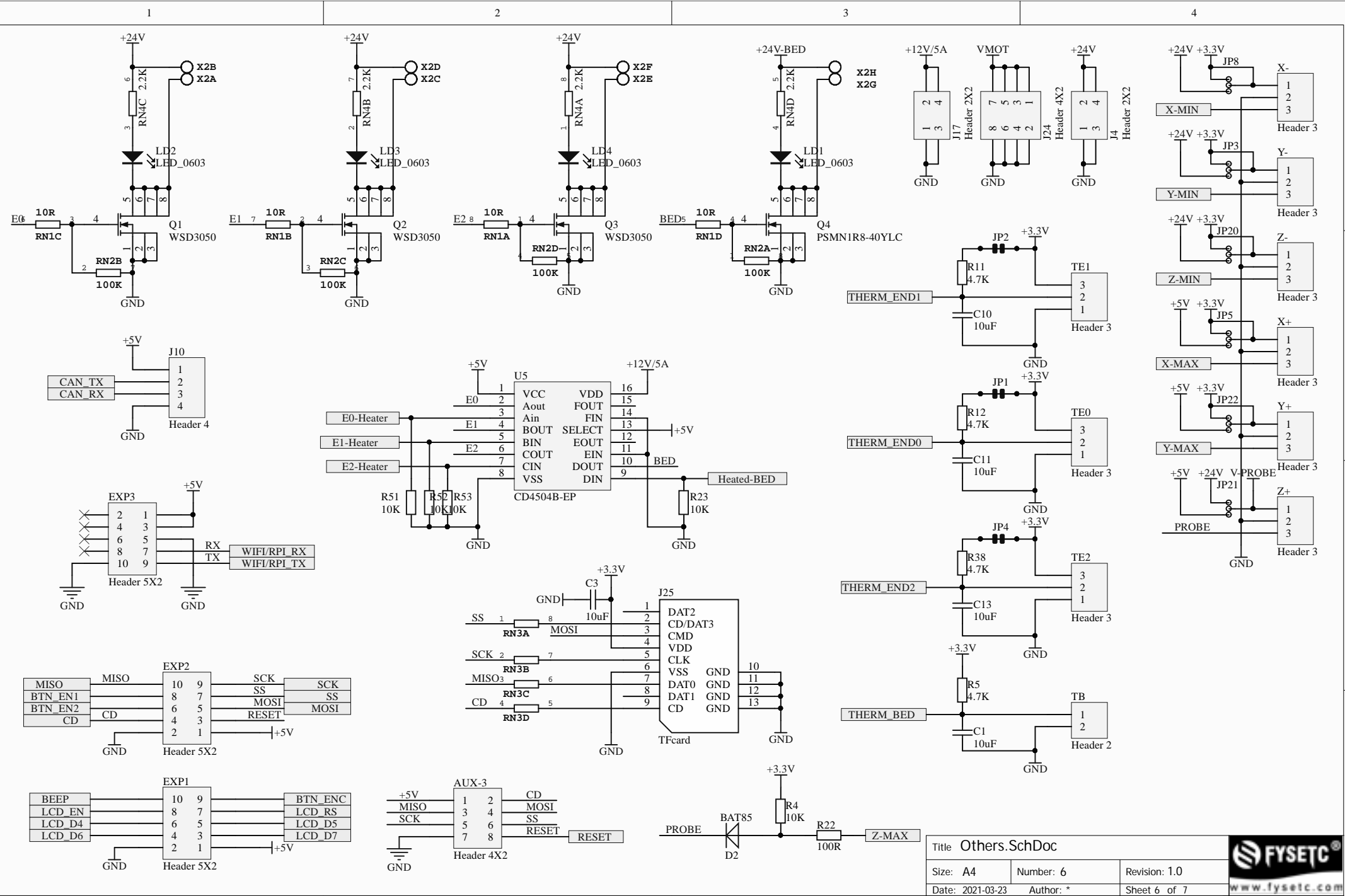
D

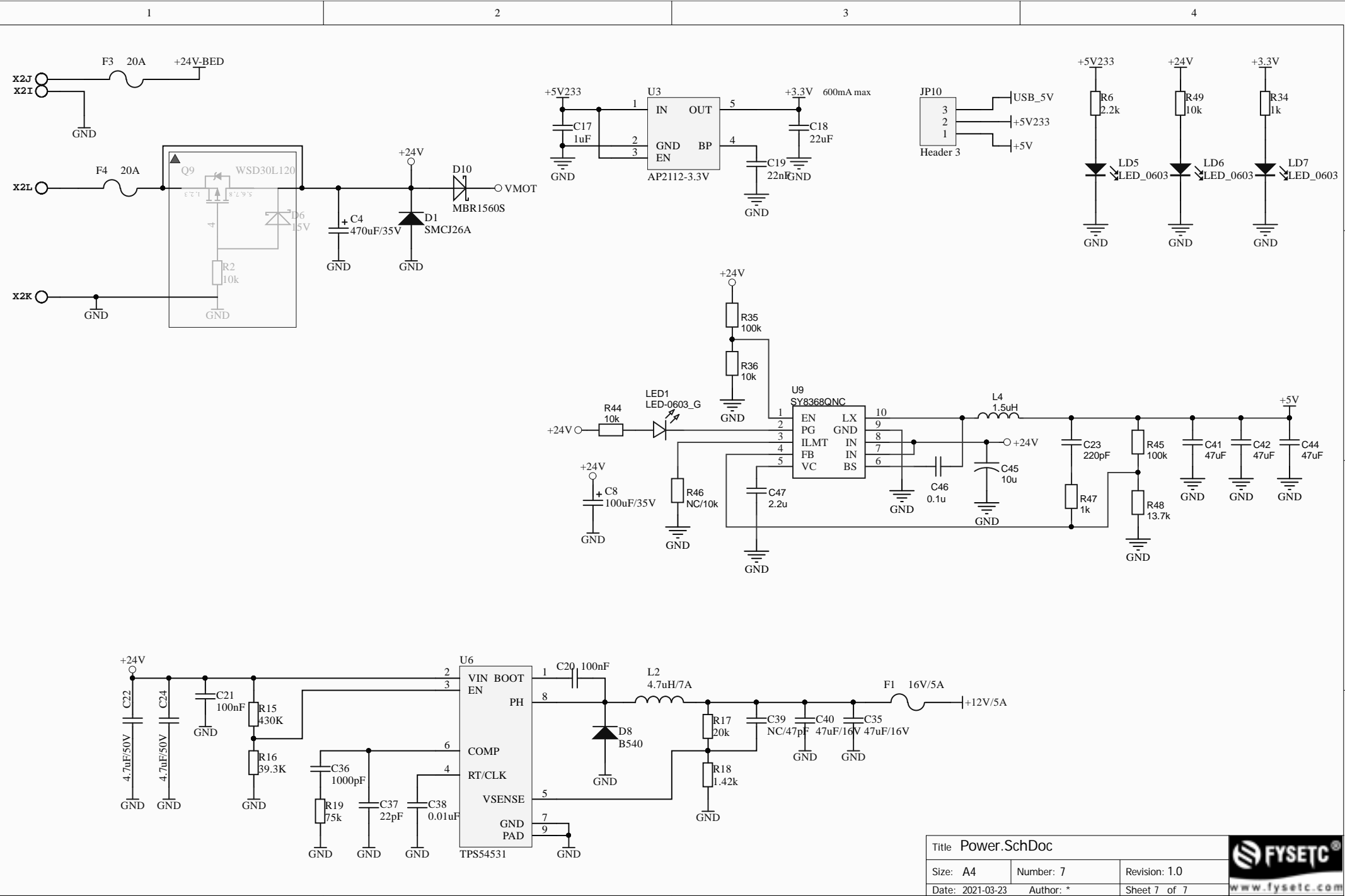
A

B

C

D





V1.0

Initial version.

V1.0B

- 1.Add R15 & R16 to 54331 en pin The input must be greater than 15V, TPS54331 can start to work, and 12V can output.
- 2.Change R19 to 75K and C36 to 1000pF to get a better 12V output.
- 3.Fix some silk mistake
- 4.Change CD4504 VCC to 12V
- 5.Mirror EXP3 for Raspberry Pi.
- 6.Add R20 for F407 replace.
- 7.Add LED for the 3 fans

A

A

B


B

C

C

D

D

Title Version.SchDoc			 www.fysetc.com
Size: A4	Number:	Revision:	
Date: 2021-03-23	Author: *	Sheet of	